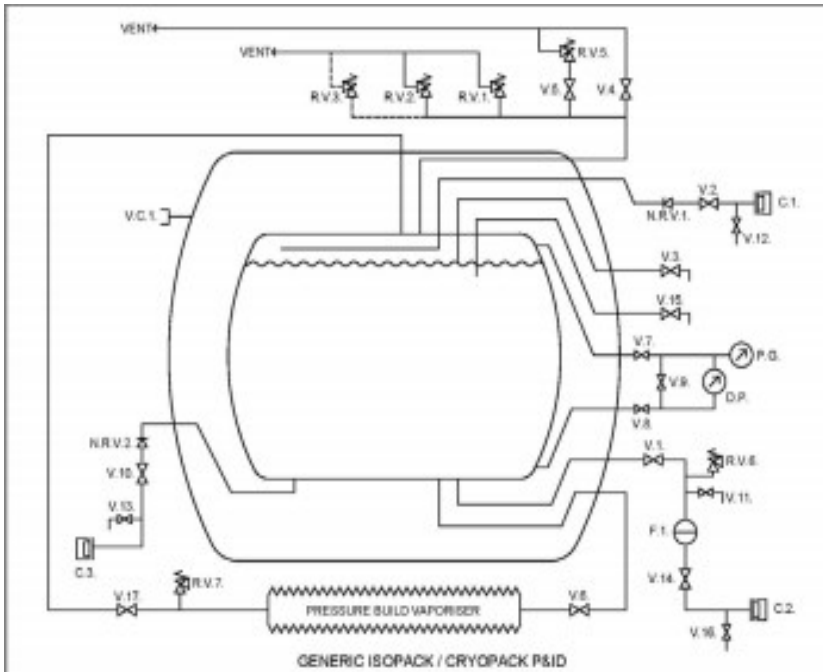


ISO PACK TVAC 3000 THERMO

Approvals	ADR, RID, IMDG, IMO, UK DOT, DNV 2.7-1 I EN12079, US DOT
Design code	ASME VIII Div. 1, DNV 2.7-1, EN12079
Dimensions	3995mm (l) x 2438mm (w) x 2591mm (h)
Gross Capacity	3,000USG, 11355 liters
Maximum Gross Capacity	17,000 kg
Tare:	13,409 lbs., 6095 kg
Payload	10,765 kg
Working Pressure	87psi, 6 Bar
Test Pressure	127psi / 8.8bar
Service temperature (int.)	-196°C to +50°C
Service temperature (ext.)	-20°C to +50°C
Isolation	Empty + Super Cryogenic
Material int. container	ASME SA-240M 304
Material ext. container	EN 10025-2 S275 J2CS
Material frame	EN 10219 S355 J2H (Primary Structure), EN10025 S355 J2G3
Loss range	0.5% per day
Wait time	9 days (3bar) / 15 days (6bar)
Paint finishes	Surface Blast 2.5sa, 1st coat Zinc Prime, 2nd Epoxy, 3rd coat Polyurethane





SCHEMATIC KEY	
V.1. LIQUID ISOLATION VALVE	V.C.1. VACUUM PUMPING PORT
V.2. LIQUID TOP FILL VALVE	P.G. PRESSURE GAUGE
V.3. 95% TRY-COCK	D.P. DIFFERENTIAL CONTENTS GAUGE
V.4. GAS VENT VALVE	C.1. TOP FILL CONNECTION
V.5. ROAD VALVE	C.2. FRONT FILL / DECANT CONNECTION
V.6. PRESSURE BUILD VALVE	C.3. REAR FILL CONNECTION
V.7. D.P. GAUGE LOW PRESSURE LINE	R.V.1. PRIMARY RELIEF VALVE
V.8. D.P. GAUGE HIGH PRESSURE LINE	R.V.2. PRIMARY RELIEF VALVE
V.9. D.P. GAUGE EQUALIZING VALVE	R.V.3. PRIMARY RELIEF VALVE (OPTIONAL)
V.10. REAR BOTTOM FILL	-
V.11. LINE BLOW DOWN VALVE	R.V.5. ROAD RELIEF VALVE
V.12. LINE BLOW DOWN VALVE	R.V.6. LINE RELIEF VALVE
V.13. LINE BLOW DOWN VALVE	R.V.7. LINE RELIEF VALVE
V.14. LIQUID DECANT / FILL VALVE	NR.V.1. NON RETURN VALVE
V.15. MAWP - TRY-COCK	NR.V.2. NON RETURN VALVE
V.16. LINE BLOW DOWN VALVE	F.1. STRAINER
V.17. VAPORISER ISOLATION VALVE	-

Connections in the filling process:

The cryogenic hose is laid for its connection to discharge valves through a left connection, this to avoid hose kinks and damage to it. Likewise, a NIT 150 union connection to thermo cryogenic is done, and tightening is performed with a sledgehammer in a hammer union, executing the activity without causing damage to accessories (thermo valves or thermo pipelines).

